

TABLE OF CONTENTS

MANUAL ARC WELDING

Electrode holders Vlamboog	5
Electrode holders Weldsafe	12
Storage containers for welding rods	14
Electrode dry ovens	15

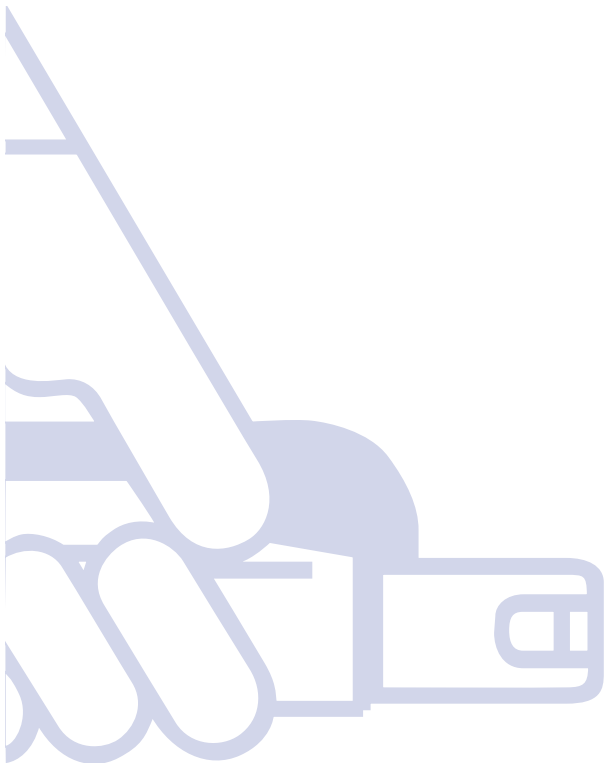
01



TABLE OF CONTENTS

MANUAL ARC WELDING

01



Optimus electrode holder

01



Optimus is a high quality electrode holder with a closed head. The wide range of welding applications, optimal insulation and powerful grip on the electrodes have made Optimus a well known and reliable welding tool around the globe.

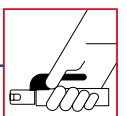
The Optimus can also be used for overhead welding. The cooling ribs in the handle generate optimal cooling of the electrode holder which contributes to an intensive use. Electrodes can be inserted in various manners.

Avoid costly downtime and increase productivity and safety with this superior, long- lifetime electrode holder.

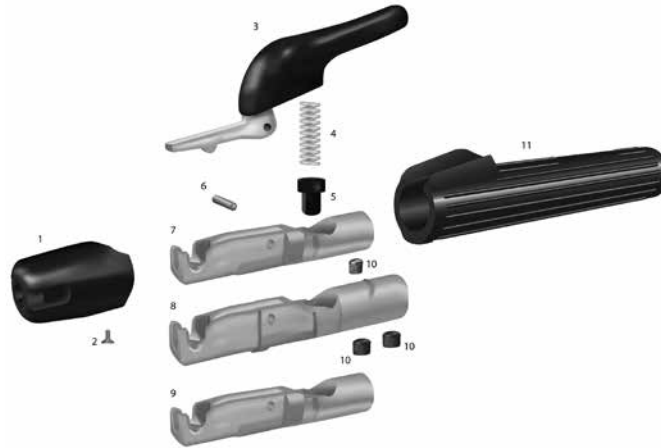
Spare parts are available from stock. Retail packaging and detailed leaflets are available on request.
Made in The Netherlands.

EN 60974-11

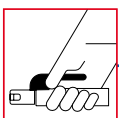
Product nr	Description	Electrode	Connection	Cable	Packing
01.01.30101	Optimus 300-1.	1.6 - 6.3 mm	1 screw M12	25-70 mm ²	1/10
01.01.30401	Optimus 300-1-3/8".	1.6 - 6.3 mm	3/8 BSP	35-70 mm ²	1/10
01.01.40101	Optimus 400-1.	2.5 - 8.0 mm	1 screw 9/16"	25-95 mm ²	1/10
01.01.40201	Optimus 400-2.	2.5 - 8.0 mm	2 screws 9/16"	25-95 mm ²	1/10
01.01.40301	Optimus 400-M18 x 1.5.	2.5 - 8.0 mm	M18 x 1.5	35-95 mm ²	1/10
01.01.50101	Optimus 500-1.	2.5 - 8.0 mm	1 screw 9/16"	25-95 mm ²	1/10
01.01.50201	Optimus 500-2.	2.5 - 8.0 mm	2 screws 9/16"	25-95 mm ²	1/10
01.01.60201	Optimus 600-2.	2.5 - 8.0 mm	2 screws 9/16"	25-95 mm ²	1/10



Optimus spare parts



Product nr	Description	Draw nr	Packing
01.11.01311	Insulating head Optimus 300.	1	1
01.11.01411	Insulating head Optimus 400/500/600.	1	1
01.11.09411	Screw M4 x 10 Optimus 300/400/500/600.	2	10
01.11.01320	Lever Optimus 300.	3	1
01.11.01420	Lever Optimus 400/500/600.	3	1
01.11.09001	Spring 300/400/500/600.	4	10
01.11.09002	Spring cap Optimus 300.	5	10
01.11.09003	Spring cap Optimus 400/500/600.	5	10
01.11.09300	Hinge pin Optimus 300.	6	10
01.11.09400	Hinge pin Optimus 400/500.	6	10
01.11.09600	Hinge pin Optimus 600 Copper.	6	10
01.11.01301	Body Optimus 300-1 with cable screw.	7+10	1
01.11.01401	Body Optimus 400-1/500-1 with cable screw.	7+10	1
01.11.01402	Body Optimus 400-2/500-2 with cable screws.	8+10	1
01.11.01406	Body Optimus 600-2 with cable screws.	8+10	1
01.11.01304	Body Optimus 300-3/8 BS8, with thread for clamp connection.	9	1
01.11.01403	Body 400/500-M18 x 1.5, with thread for clamp connection.	9	1
01.11.09402	Cable screw 9/16" UNF Optimus 600, copper.	10	10
01.11.09404	Cable screw 9/16" UNF Optimus 400/500.	10	10
01.11.09405	Cable screw M12 x 12 Optimus 300.	10	10
01.11.01331	Handle Optimus 300.	11	1
01.11.01431	Handle Optimus 400.	11	1
01.11.01531	Handle Optimus 500.	11	1
01.11.01631	Handle Optimus 600.	11	1
01.11.09403	Allen key 6 mm.		10



Samson electrode holder

01



Samson is a high quality electrode holder with an open crocodile type head. The many and firm electrode holding insert positions, wide range of welding applications and the outstanding user comfort have made Samson a well-known and reliable welding tool around the globe.

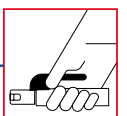
Avoid costly downtime and increase productivity and safety with this superior, long- lifetime electrode holder.

The cooling ribs in the handle generate optimal cooling of the electrode holder which allows for intensive use.

Spare parts are available from stock. Retail packaging and detailed leaflets are available on request.
Made in The Netherlands.

EN 60974-11

Product nr	Description	Electrode	Connection	Cable	Packing
01.02.15101	Samson 150-1.	1.5 - 3.25 mm	1 screw M8	16-35 mm ²	1/10
01.02.30101	Samson 300-1.	2.0 - 6.3 mm	1 screw M12	25-70 mm ²	1/10
01.02.40201	Samson 400-2.	2.5 - 8.0 mm	2 screws 9/16"	25-95 mm ²	1/10
01.02.50201	Samson 500-2.	2.5 - 8.0 mm	2 screws 9/16"	25-95 mm ²	1/10



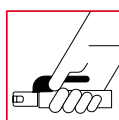
Samson spare parts



Product nr	Description	Draw nr	Packing
01.12.02311	Set insulating caps Samson 300.	1	1
01.12.02411	Set insulating caps Samson 400/500.	1	1
01.11.09411	Screw M4 x 10 Samson 300/400/500.	2	1
01.12.02320	Lever Samson 300/400/500.	3	1
01.11.09001	Spring 300/400/500.	4	1
01.11.09002	Spring cap Samson 300.	5	1
01.11.09003	Spring cap Samson 400/500.	5	1
01.11.09300	Hinge pin Samson 300.	6	1
01.11.09400	Hinge pin Samson 400/500.	6	1
01.12.02301	Body Samson 300-1 with thread.	7	1
01.12.02402	Body Samson 400-2/500-2.	8	1
01.12.02331	Handle Samson 300.	9	1
01.12.02431	Handle Samson 400.	9	1
01.12.02531	Handle Samson 500.	9	1
01.11.09405	Cable screw M 12 x 12 Samson 300.	10	1
01.11.09404	Adjusting screw 9/16" UNF Samson 400/500.	10	1
01.11.09403	Allen key 6 mm.		1

Samson 150 spare parts

Product nr	Description	Packing
01.12.01500	Body Samson 150	1
01.12.01505	Handle Samson 150	1
01.12.01510	Upper insulating cap Samson 150	1
01.12.01515	Lower insulating cap Samson 150	1
01.12.01520	Lever Samson 150	1
01.12.01525	Spring Samson 150	1
01.12.01530	Hinge pin Samson 150	1
01.12.01535	Cable screw M8x8 Samson 150	1
01.11.09407	Taptite MRX-M4x6 Samson 150	1



Progress electrode holder



Progress is a high quality electrode holder with a screw-on closed head. The extreme tight grip on the electrode, the wide range of applications and the optimal electric safety (class A for Progress 400) have made the Progress electrode holder well-known with welders around the globe.

The handle of the Progress electrode holder is made of glass fibre reinforced polyester and the innerparts are made of high alloy brass.

Avoid costly downtime and increase productivity and safety with this superior, long- lifetime electrode holder.

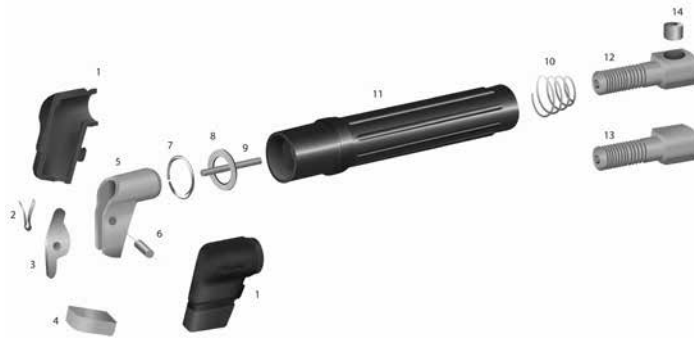
Spare parts are available from stock. Retail packaging and detailed leaflets are available on request.
Made in The Netherlands.

EN 60974-11

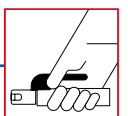
01

Product nr	Description	Electrode	Connection	Cable	Packing
01.03.41100	Progress 400-1.	1.6 - 6.3 mm	1 screw 9/16"	25-95 mm ²	1/10
01.03.41300	Progress 400-M18 x 1.5.	1.6 - 6.3 mm	M18 x 1.5	35-95 mm ²	1/10
01.03.60100	Progress 600-1.	1.6 - 8.0 mm	1 screw 9/16"	25-95 mm ²	1/10
01.03.60300	Progress 600-M18 x 1.5.	1.6 - 8.0 mm	M18 x 1.5	35-95 mm ²	1/10

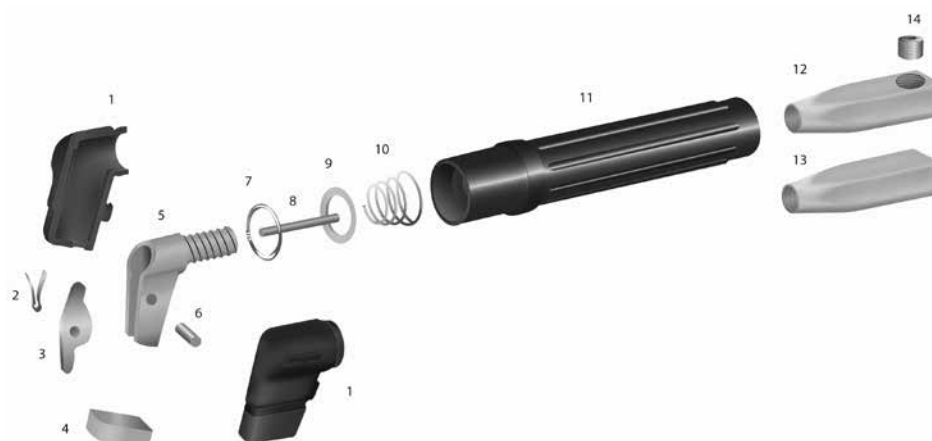
Progress 400 spare parts



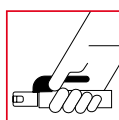
Product nr	Description	Draw nr	Packing
01.13.13410	Set insulating caps Progress 400.	1	1
01.13.13480	Laminated suspension spring Progress 400.	2	1
01.13.03483	Lever Progress 400.	3	1
01.13.03681	Clamping strip Progress 400.	4	1
01.13.13484	Head Progress 400.	5	1
01.13.13482	Hinge pin Progress 400.	6	1
01.13.13488	Securing washer Progress 400.	7	1
01.13.13489	Washer Progress 400.	8	1
01.03.42000	Head (complete) Progress 400.	1 - 7	1
01.13.13485	Pressing pin Progress 400.	9	1
01.13.13487	Spring Progress 400.	10	1
01.13.13430	Handle Progress 400.	11	1
01.13.13401	Body Progress 400-1 with thread and cable locking screw.	12 + 14	1
01.13.13403	Body Progress 400/M18 x 1.5 with thread for clamp connection.	13	1
01.11.09404	Cable screw 9/16 UNF Progress 400.	14	1
01.11.09403	Allen key 6 mm.		1



Progress 600 spare parts



Product nr	Description	Draw nr	Packing
01.13.03610	Set insulating caps Progress 600.	1	1
01.13.13480	Laminated suspension spring Progress 400.	2	10
01.13.03683	Lever Progress 600.	3	1
01.13.03681	Clamping strip Progress 600.	4	1
01.13.03684	Head Progress 600.	5	1
01.13.03682	Hinge pin Progress 600.	6	1
01.03.61000	Head (complete) Progress 600.	1 - 7	1
01.13.13488	Securing washer Progress 400.	7	10
01.13.03685	Pressing pin Progress 600.	8	1
01.13.13489	Washer Progress 400.	9	10
01.13.03487	Spring Progress 400.	10	10
01.13.03430	Handle Progress 600.	11	1
01.13.03603	Body Progress 600 M18 x 1.5.	13	1
01.13.03601	Body Progress 600-1 with thread and cable locking screw.	12 + 14	1
01.11.09404	Cable screw 9/16" UNF Progress 600.	14	10
01.11.09403	Allen key 6 mm.		10



Victory electrode holder



Victory is a high quality and simple electrode holder with a turnable head. The slim and smooth appearance allows for welding in the most confined areas. The extreme tight grip on the electrode, the wide range of applications and the optimal electric safety (class A for Victory 400) have made the Victory electrode holder well-known with welders around the globe.

The handle of the Victory electrode holder is made of glass fibre reinforced polyester and the innerparts are made of high alloy brass.

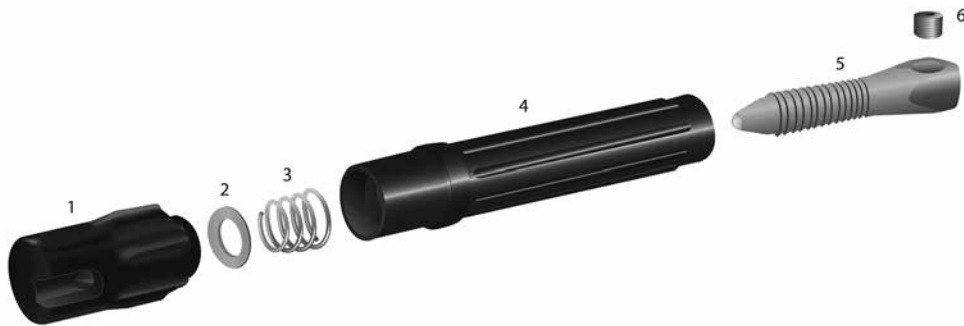
Avoid costly downtime and increase productivity and safety with this superior, long- lifetime electrode holder.

Spare parts are available from stock. Retail packaging and detailed leaflets are available on request. Made in The Netherlands.

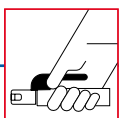
EN 60974-11

Product nr	Description	Electrode	Connection	Cable	Packing
01.04.40100	Victory 400-1.	1.6 - 6.3 mm	1 screw 9/16"	25-95 mm ²	1/10
01.04.60100	Victory 600-1.	1.6 - 8.0 mm	1 screw 9/16"	25-95 mm ²	1/10

Victory spare parts



Product nr	Description	Draw nr	Packing
01.14.04610	Head complete Victory 600.	1	1
01.14.04410	Head complete Victory 400.	1	1
01.13.03489	Washer Victory 400/600.	2	10
01.13.03487	Spring Victory 400/600.	3	10
01.13.03431	Handle Victory 400.	4	1
01.13.03432	Handle Victory 600.	4	1
01.14.04401	Body Victory 400-1 with thread and cable locking screw.	5+6	1
01.14.04601	Body Victory 600-1 with thread and cable locking screw.	5+6	1
01.11.09404	Cable screw 9/16" UNF Victory 400/600.	6	10
01.11.09403	Allen key 6 mm.		10



MANUAL ARC WELDING

Weldsafe Quicko electrode holder

01



The Quicko is an economic alternative electrode holder with a closed head, suitable for occasional welding. The handle of the Quicko is made of nylon. The innerparts are made of brass. Spare parts are not available. Packed in display packaging.

EN 60974-11

Product nr	Description	Electrode	Connection	Cable	Packing
01.40.21200	Quicko, 150-200 ampère.	1.6 - 4.0 mm	2 screws M10	35 mm ²	1/50
01.40.21300	Quicko, 200-300 ampère.	1.6 - 5.0 mm	2 screws M10	50 mm ²	1/50

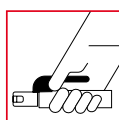
Weldsafe Croco electrode holder



The Croco is an economic alternative electrode holder with an open jaw, suitable for occasional welding. The handle of the Croco is made of nylon. The innerparts are made of brass. Spare parts are not available. Packed in display packaging.

EN 60974-11

Product nr	Description	Electrode	Connection	Cable	Packing
01.40.20150	Croco, 150-200 ampère.	1.6 - 3.2 mm	2 screws M10	25 mm ²	1/50
01.40.20300	Croco, 300 ampère.	1.6 - 5.0 mm	2 screws M10	50 mm ²	1/50
01.40.20400	Croco, 400 ampère.	1.6 - 6.3 mm	2 screws M10	70 mm ²	1/50



Weldsafe Twisty electrode holder



The Twisty is an economic alternative electrode holder with a screw-on closed head, suitable for occasional welding. The handle of the Twisty is made of nylon. The innerparts are made of brass.

Spare parts are not available.

Packed in display packaging.

EN 60974-11

Product nr	Description	Electrode	Connection	Cable	Packing
01.40.22200	Twisty, 200 ampère.	1.6 - 3.2 mm	2 screws M10	25 mm ²	1/50
01.40.22400	Twisty, 400 ampère.	1.6 - 5.0 mm	2 screws M10	50 mm ²	1/50

Weldsafe Turner electrode holder



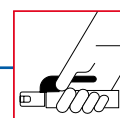
The Turner is an economic alternative electrode holder with a screw-on closed head, suitable for occasional welding. The handle of the Turner is made of nylon. The innerparts are made of brass.

Spare parts are not available.

Packed in display packaging.

EN 60974-11

Product nr	Description	Electrode	Connection	Cable	Packing
01.40.23200	Turner, 200 ampère.	1.6 - 3.2 mm	2 screws M10	25 mm ²	1/50
01.40.23400	Turner, 300 ampère.	1.6 - 5.0 mm	2 screws M10	50 mm ²	1/50



Phoenix Safetube® storage containers for welding rods

01



Industrial storage containers Safetube® for welding rods, waterproof. Colour yellow. The Safetube is available for electrodes of 350 mm or 450 mm. With carrying strap.

Designed by welders, the Safetube® rod canister eliminates traditional canister problems.

- Each model is a diamond shape to prevent the canister from rolling off a work surface.
- The canister cap uses a quick-lock thread for simple removal with just a quarter turn.
- The cap is also sealed with a pressure fitted O-ring to prevent intrusion of moisture and contaminants.
- Pressure fitted O-ring keeps out dirt and moisture.
- Safety: yellow colour is easily seen from a distance.

Detailed leaflets are available on request.

Product nr	Description	Packing
01.60.00100	Storage container 350 mm with strap	1/12
01.60.00100	Storage container 350 mm.	1/12
01.60.00105	Storage container 450 mm with strap.	1/12
01.60.00105	Storage container 450 mm.	1/12
01.60.00110	Carrying strap.	1/12

Phoenix Safetube® rod canister and Wall Storage Rack



Safetube® Electrode Storage Container.

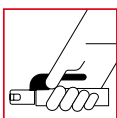
Designed by welders, the Safetube® rod canister eliminates traditional canister problems.

- Diamond shaped to prevent the canister from rolling off a work surface.
- The canister cap uses a quick-lock thread for simple removal with just a quarter turn.
- The cap is also sealed with a pressure fitted O-ring to prevent intrusion of moisture and contaminants.
- Pressure fitted O-ring keeps out dirt and moisture.
- Safety: yellow colour is easily seen from a distance.

Wall Storage Rack For (4) Safetube® Rod Canisters

Detailed leaflets are available on request.

Product nr	Description	Packing
01.60.00107	Safetube rod canisters 1000 mm.	1/12
01.60.00105	Wall storage rack for four 1000 mm canisters.	1/12



Phoenix DryRod® II Type 1



The DryRod® II Type 1 is the smallest portable rod oven available from Phoenix. The DryRod®II Type 1 oven is ideal for the individual welder.

The oven chamber temperature remains fixed at a consistent 149°C (300°F), ensuring electrodes remain moisture-free in the field and pass inspection.

Type 1 ovens provide unmatched durability and are designed to be repaired rather than replaced.

Built with heavy gauge steel and powder coated to withstand challenging conditions, the Type 1 will remain in use for multiple projects.

- 5 kg storage capacity for 14" or 18" electrodes.
- Rod elevator for quick removal of electrodes.
- 3 meter (10 ft) cord locks into the oven base to create a fixed connection.
- Body and lid insulation minimizes heat loss and energy use.
- Indicator light.
- Safety Yellow colour increases field visibility.
- Spring latch tightly secures insulated lid for transport.
- NEW 120/240V dual volt heating elements.

Made in the USA

EN60335-1:1994 (A1 and A2 and A11 through A16 included)

EN60335-2-45:96; IEC60335-1,A2:99 (EN60335-1,A2:00)

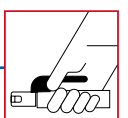
EN55014-1/02.97+A1/1997+A2/1999

EN61000-3-2/04.95+A104.98+A14/2000

EN61000-3-3/01.95

Protection class I - IPX0

Product nr	Description	Packing
01.60.10000	DryRod® II Type 1 Oven (5 kg) with indicator light	1/1



Phoenix DryRod® II Type 2



The DryRod® II Type 2 portable rod ovens offer welders the ability to control oven temperature. The DryRod®II Type 2 oven can be filled from a large capacity storage oven. Type 2 portable ovens ensure electrodes remain moisture-free in the field and meet welding code requirements. The ovens include a thermostat to adjust oven temperature in line with electrode requirements. Built with heavy gauge steel and powder coated to withstand challenging conditions, the Type 2 will remain in use for multiple projects.

- 10 kg storage capacity for 14" or 18" electrodes.
- Rod elevator for quick removal of electrodes.
- Adjustable thermostat provides temperature (from 38-149 °C) control in the field.
- 3 meter (10 ft) cord locks into the oven base to create a fixed connection.
- Body and lid insulation minimizes heat loss and energy usage.
- Safety Yellow colour increases field visibility.
- Spring latch tightly secures insulated lid for transport.
- NEW 120/240V dual volt heating elements.

Made in the USA

EN60335-1:1994 (A1 and A2 and A11 through A16 included)

EN60335-2-45:96; IEC60335-1,A2:99 (EN60335-1,A2:00)

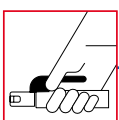
EN55014-1/02.97+A1/1997+A2/1999

EN61000-3-2/04.95+A104.98+A14/2000

EN61000-3-3/01.95

Protection class I - IPX0

Product nr	Description	Packing
01.60.10002	DryRod® II Type 2 Oven (10 kg)	1/1
01.60.10003	DryRod® II Type 2 Oven (10 kg) with thermometer.	1/1



Phoenix DryRod® II Type 5

01



The DryRod® II Type 5 portable rod ovens offer welders increased portability. The Type 5 is available with wheels and a pull handle or with carry handles. The Type 5 oven can be filled from a large capacity storage oven and supply multiple welders with electrodes throughout the workday.

The Type 5 ensures electrodes remain moisture-free in the field and meet welding code requirements.

Built with heavy gauge steel and powder coated to withstand challenging conditions, the Type 5 will remain in use for multiple projects.

- 25 kg storage capacity for 14" or 18" electrodes.
- Adjustable thermostat provides temperature (from 38-149 °C) control in the field.
- 3 meter (10 ft) cord locks into the oven base to create a fixed connection.
- Body and lid insulation minimizes heat loss and energy usage.
- Safety Yellow colour increases field visibility.
- Spring latch tightly secures insulated lid for transport.

Made in the USA

EN60335-1:1994 (A1 and A2 and A11 through A16 included)

EN60335-2-45:96; IEC60335-1,A2:99 (EN60335-1,A2:00)

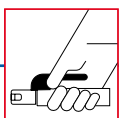
EN55014-1/02.97+A1/1997+A2/1999

EN61000-3-2/04.95+A104.98+A14/2000

EN61000-3-3/01.95

Protection class I - IPX0

Product nr	Description	Packing
01.60.10505	DryRod® II Type 5 Oven (25 kg)	1/1
01.60.10506	DryRod® II Type 5 Oven (25 kg) with thermometer.	1/1



Phoenix DryRod® Oven Type 15 on wheels



The DryRod II Type 15 portable rod ovens offer the unique combination of portability and high capacity. The oven's wheels and pull handle easily transport 75 kg of electrodes to supply larger job sites and multiple welders.

Type 15 portable ovens ensure electrodes remain moisture-free in the field and meet welding code requirements.

Built with heavy gauge steel and powder coated to withstand challenging conditions, the Type 15 will remain in use for multiple projects.

- 75 kg storage capacity for 14 in or 18 in electrodes.
- Adjustable thermostat provides temperature (from 38-149 °C) control in the field.
- 3 meter (10 ft) cord locks into the oven base to create a fixed connection.
- Body and lid insulation minimizes heat loss and energy usage.
- Safety Yellow colour increases field visibility.
- Spring latch tightly secures insulated lid for transport.
- Heating element 600 Watt.
- Voltage 120V/240 V AC
- Weight 36,8 kilo.
- Size 51 x 56 x 74 cm
- Inside Ø 35,5 cm x 50,2 cm deep.

Made in the USA

EN60335-1:1994 (A1 and A2 and A11 through A16 included)

EN60335-2-45:96; IEC60335-1,A2:99 (EN60335-1,A2:00)

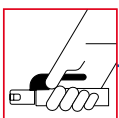
EN55014-1/02.97+A1/1997+A2/1999

EN61000-3-2/04.95+A104.98+A14/2000

EN61000-3-3/01.95

Protection class I - IPX0

Product nr	Description	Packing
01.60.10015	DryRod® II Portable Rod Oven Type 15 (75 kg)	1/1
01.60.10020	DryRod® II Portable Rod Oven Type 15 (75 kg) with thermometer.	1/1



Phoenix DryRod® Bench Oven Type 15B



The DryRod II Type 15B bench rod ovens are designed to fit in the welding shop where space is at a premium. The Type 15B ensures electrodes remain moisture-free and meet welding code requirements. Built with heavy gauge steel and powder coated to withstand challenging conditions, the Type 15B will remain in use for multiple projects.

- 75 kg storage capacity for 14" or 18" electrodes.
- Adjustable thermostat provides temperature (from 38-149 °C) control in the field.
- 3 meter (10 ft) cord locks into the oven base to create a fixed connection.
- Body and lid insulation minimizes heat loss and energy usage.
- Safety Yellow colour increases field visibility.
- Spring latch tightly secures insulated lid for transport.
- Heating element 600 Watt.
- Voltage 120V/240 V AC
- Weight 36,8 kilo.
- Size 51 x 56 x 74 cm
- Inside Ø 35,5 cm x 50,2 cm deep.

Made in the USA

EN60335-1:1994 (A1 and A2 and A11 through A16 included)

EN60335-2-45:96; IEC60335-1,A2:99 (EN60335-1,A2:00)

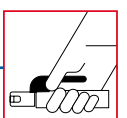
EN55014-1/02.97+A1/1997+A2/1999

EN61000-3-2/04.95+A104.98+A14/2000

EN61000-3-3/01.95

Protection class I - IPX0

Product nr	Description	Packing
01.60.10016	DryRod® Bench Rod Oven Type 15B (75 kg)	1/1
01.60.10021	DryRod® Bench Rod Oven Type 15B (75 kg) with thermometer.	1/1



Phoenix DryRod® Bench Oven Type 300

01



Type 300 ovens are stationary bench ovens that offer high capacity storage. The oven is powered with two 500W heating elements, which work with the circular shape and door vent to provide a consistent storage environment. Also featured is a thermostat mounted on the rear of the oven, allowing for chamber temperature control. As an option to maximize available floor space, the Type 300 can be made stacking capable. Stacking feet are secured to the lower oven, allowing a second Type 300 to be bolted above. Ensure electrodes remain moisture-free in the field and meet welding code requirements.

- 182 kg capacity of 18" (450 mm) electrodes.
- Thermostatic control 38 - 288°C (HT 38 - 350°C) adjustable.
- Circular oven chamber promotes airflow and consistent heating.
- Available with optional thermometer for immediate temperature indication.
- Voltage 120 V - 240 V AC or 240 V - 480 V AC.
- Heating element 1500 Watt.
- Inside Ø 45,72 cm 48,26 cm deep.

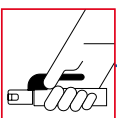
Made in the USA

EN60335-1:95 (A1 and A2 included)

EN 60335-245:945

Protection class I - IPX0

Product nr	Description	Packing
01.60.00505	Phoenix DryRod® Bench Rod Oven Type 300 120V	1/1
01.60.00500	Phoenix DryRod® Bench Rod Oven Type 300 240-480V	1/1
01.60.00510	Phoenix DryRod® Bench Rod Oven Type 300HT 240-480V (38 - 350°C)	1/1



Phoenix DryRod® Bench Oven Type 900



The Type 900 follows the design of the Type 300 but offers maximum capacity for high volume users of welding rods. Individually separated chambers offer improved storage conditions for multiple electrode types. The oven is powered with two 1200W heating elements, which work with the circular shape and door vent to provide a consistent storage environment. Also featured is a thermostat mounted on the rear of the oven, allowing for chamber temperature control. The rugged design and durability make Type 900 rod ovens a long-term investment to see you through multiple projects. Ensure electrodes remain moisture-free in the field and meet welding code requirements.

In the shop or at the jobsite, the Type 900 will keep your electrodes dry

- 500kg capacity of 18" (450 mm) electrodes in 10 different divided chambers.
- Thermostatic control 38 - 288°C adjustable.
- Circular oven chamber promotes airflow and consistent heating.
- Available with optional thermometer for immediate temperature indication.
- Voltage 240 V - 480 V AC.
- Heating element 4000 Watt.
- Outside 51 x 56 x 74 cm
- Inside Ø 76,2 cm 71,12 cm deep.

Made in the USA

EN60335-1:95 (A1 and A2 included)

EN60335-2-45:945

Protection class I - IPX0

Product nr	Description	Packing
01.60.00600	Phoenix DryRod® Bench Rod Oven Type 900 240-480V	1/1

