

## TABLE OF CONTENTS

### GOUGING PRODUCTS AND CARBON ELECTRODES

---

Gouging torches	55
Monocables	57
Gouging electrodes	58
Thermal lances	60



# TABLE OF CONTENTS

## GOUGING PRODUCTS AND CARBON ELECTRODES

---

06



## GOUGING PRODUCTS AND CARBON ELECTRODES

### Flair 600 gouging torch



The Flair gouging torch is a high quality gouging torch made of sturdy high quality components. The airflow can be regulated on the torch. The adjustable nozzle and the use of high quality materials ensure optimal electric safety and efficiency and maximum airflow.

The Flair torch is easy to use and for many purposes due to the combination with the Flair mono cable. The mono cable can be mounted easily to the Flair torch and the power source.

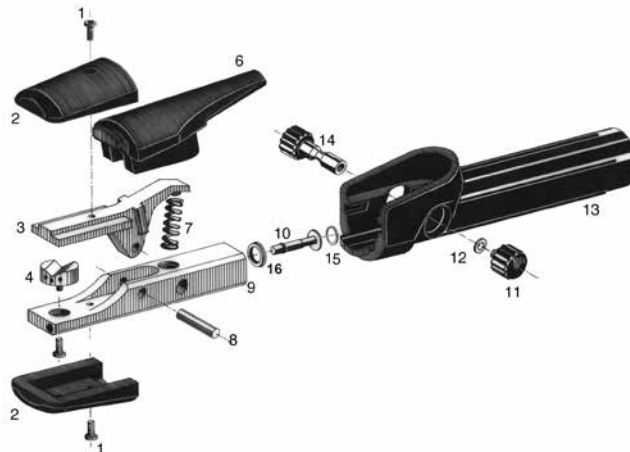
- Recommended air pressure is 7 bar.
- 600 Amp at duty cycle 60%

All spare parts are available individually.

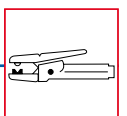
06

Product nr	Description	Ampère	Max. electrode	Packing
06.01.80600	Flair 600.	600	10 mm (3/8")	1

### Flair 600 spare parts



Product nr	Description	Draw nr	Packing
06.06.80626	Insulation cap.	2	2
06.06.80628	Screw MRX 4 x 10 mm Flair.	1	10
06.06.80606	Lever insulation.	6	1
06.06.80622	Push-button and link.	14	1
06.06.80630	Handle.	13	1
06.03.08323	Push-button.	11	1
06.03.08341	Safety ring.	12	10
06.04.08901	Copper sealing ring for Flair monocable and gouging torch.	15	1
06.06.80637	Valve.	10	1
06.03.08334	Valve seat.	16	1
06.06.80620	Hinge pin.	8	1
01.11.09001	Spring Flair.	7	1
06.06.80612	Body.	9	1
06.03.08355	Injection nozzle C-10, for round and flat electrodes, 10 mm.	4	1
06.03.08251	Injection nozzle, complete with taptite MRX M4 x 6 (01.11.09407).	4	1
06.03.08356	Injection nozzle C15.	3	1
06.06.80600	Brass lever.	3	1



## GOUGING PRODUCTS AND CARBON ELECTRODES

### Flair 1600 gouging torch



The Flair gouging torch is a high quality gouging torch made of sturdy high quality components. The airflow can be regulated on the torch. The adjustable nozzle and the use of high quality materials ensure optimal electric safety and efficiency and maximum airflow.

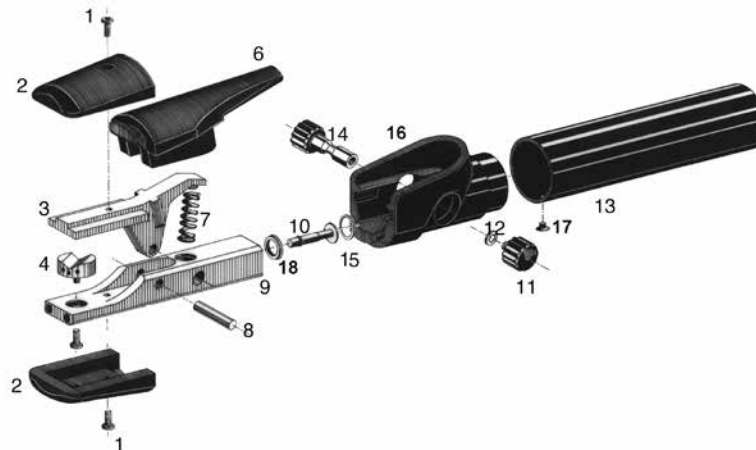
The Flair torch is easy to use and for many purposes due to the combination with the Flair monocable. The monocable can be mounted easily to the Flair torch and the power source.

- Recommended air pressure is 7 bar.
- 1600 Amp at duty cycle 60%

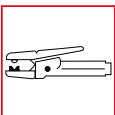
All spare parts are available individually.

Product nr	Description	Ampère	Max. electrode	Packing
06.01.81600	Flair 1600.	1600	19 mm (3/4")	1

### Flair 1600 spare parts



Product nr	Description	Draw nr	Packing
06.06.80626	Insulation cap.	2	2
06.06.80628	Screw MRX 4 x 10 mm.	1	10
06.06.80606	Lever insulation.	6	1
06.06.80622	Push-button and link.	14	1
06.06.81630	Handle gouging torch Flair 1600.	13/16/17	10
06.39.08533	Nylon screw M6 x 8.	17	10
06.03.08323	Push-button	11	1
06.03.08341	Safety ring.	12	10
06.04.08901	Copper sealing ring.	15	1
06.06.80637	Valve.	10	1
06.03.08334	Valve seat.	18	1
06.06.80620	Hinge pin.	8	1
06.06.81624	Spring.	7	1
06.06.81612	Body.	9	1
06.03.08550	Injection nozzle 3-gats complete with taptite MRX M4 x 6 (01.11.09407).	4	1
06.03.08356	Injection nozzle C-15, for round and flat electrodes, 15 mm.	4	1
06.03.08357	Injection nozzle C-20, for round and flat electrodes, 20 mm.	4	1
06.06.81600	Lever.	3	1



## GOUGING PRODUCTS AND CARBON ELECTRODES

### Flair 600/1600 monocables

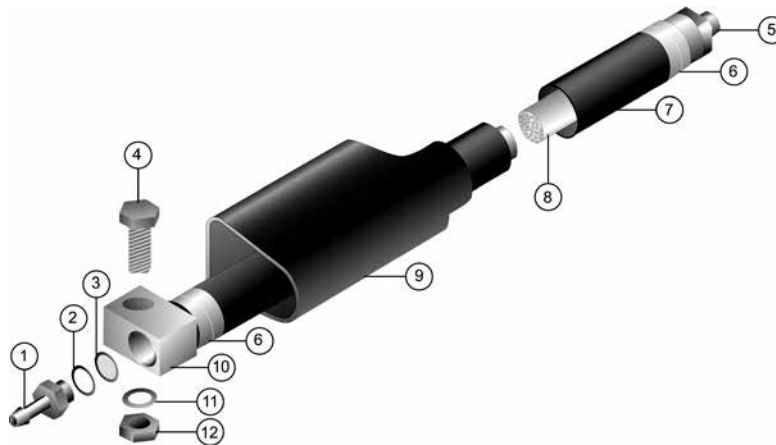


Gouging with the support of a monocable is a very efficient and handy way to operate. Both the power and the air are guided through one cable, which allows the gouger to work. The monocable is available for the Flair 600 and Flair 1600.

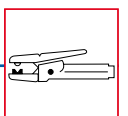
All spare parts are available individually.

Product nr	Description	Length	Packing
06.02.80601	Monocable 35mm <sup>2</sup> gouging torch Flair 600.	2.35 meter	1
06.02.81601	Monocable 95mm <sup>2</sup> gouging torch Flair 1600.	2.35 meter	1
06.02.81602	Monocable 95mm <sup>2</sup> gouging torch Flair 1600, with stopper.	2.35 meter	1

### Flair 600/1600 monocable spare parts



Product nr	Description	Draw nr	Packing
06.04.08905	Airhose inlet Flair 600/1600.	1	1
06.04.08902	Sieve Flair 600/1600.	3	1
06.04.08901	Copper sealing ring Flair 600/1600.	2	1
06.04.08910	Bolt M10 x 25, for monocable Flair 600.	12	1
06.04.08911	Bolt M10 x 40, for monocable Flair 1600.	12	1
06.04.08912	Nut M10, for monocable Flair 600 / 1600.	4	1
06.04.08613	Swivel hose connection, torch side, Flair 600.	5	1
06.04.08731	Swivel hose connection, torch side, Flair 1600.	5	1
06.04.08732	Swivel connection, torch side, with stop, Flair 1600.	5	1
06.04.08622	Hose bushing, short Flair 600.	6	1
06.04.08716	Hose clamp (hose gouging torch Flair 1600).	6	1
06.04.08600	Hose monocable Flair 600, per meter.	7	1
06.04.08700	Hose monocable Flair 1600, per meter.	7	1
06.04.08610	Copper cable, 2.5 meter, Flair 600.	8	1
06.04.08810	Copper cable, 2.5 meter, Flair 1600.	8	1
06.04.08620	Rubber sleeve, Flair 600.	9	1
06.04.08720	Rubber sleeve, Flair 1600.	9	1
06.04.08624	Hose coupling, machine side Flair 600.	10	1
06.39.08715	Hose coupling, machine side, Flair 1600.	10	1
06.04.08907	Washer, Flair 600/1600.	11	10



## GOUGING PRODUCTS AND CARBON ELECTRODES

### Complete sets of mono cables and Flair gouging torches



Complete sets allow you to start gouging immediately and saves the costs of putting the set together.

Total length 2,5 m.

Product nr	Description	Packing
06.05.83010	Set gouging torch Flair 600 and monocable (mounted).	1/5
06.05.86004	Set gouging torch Flair 1600 and monocable (mounted).	1/5

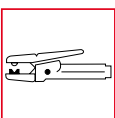
### Goug-Arc direct current (DC) pointed gouging electrodes



Gouging electrodes are made of carbon and have a copper coating. The gouging electrodes are available in a variety of shapes and diameters to meet the various applications.

Power source 380 V, DC; compactness 1.57;  
max. humidity < 0.4%.

Product nr	Sizes	Ampère	Packing
06.40.16010	5/32" x 12" (4 x 305 mm).	150-200	100/1000
06.40.16025	3/16" x 12" (5 x 305 mm).	200-250	100/1000
06.40.16030	1/4" x 12" (6.3 x 305mm).	250-300	50/500
06.40.16040	5/16" x 12" (8 x 305 mm).	350-400	50/500
06.40.16050	3/8" x 12" (10 x 305 mm).	400-450	50/500
06.40.16060	1/2" x 12" (13 x 305 mm).	600-700	50/200
06.40.16065	1/2" x 14" (13 x 355 mm).	600-700	50/200



## GOUGING PRODUCTS AND CARBON ELECTRODES

### Goug-Arc direct current (DC) jointed gouging electrodes



Gouging electrodes are made of carbon and have a copper coating. The gouging electrodes are available in a variety of shapes and diameters to meet the various applications.

For intensive applications jointed electrodes are available. These can be put into each other to increase the duty cycle.

Power source 380 V, DC; compactness 1.57;  
max. humidity < 0.4%.

Product nr	Sizes	Ampère	Packing
06.40.17010	5/16" x 14" (8 x 355 mm).	450	50/200
06.40.17020	3/8" x 14" (10 x 355 mm).	500	50/200
06.40.17030	7/16" x 14" (11 x 355 mm).	600	50/200
06.40.17040	1/2" x 14" (13 x 355 mm).	750	50/200
06.40.17055	5/8" x 14" (15 x 355 mm).	1000	50/100
06.40.17060	3/4" x 14" (19 x 355 mm).	1300	50/100
06.40.18010	3/8" x 17" (10 x 430 mm).	550	50/200
06.40.18020	1/2" x 17" (13 x 430 mm).	750	25/200
06.40.18030	5/8" x 17" (16 x 430 mm).	1000	25/100
06.40.18040	3/4" x 17" (19 x 430 mm).	1300	25/100

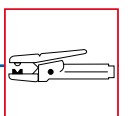
### Goug-Arc direct current (DC) flat gouging electrodes



Gouging electrodes are made of carbon and have a copper coating. The gouging electrodes are available in a variety of shapes and diameters to meet the various applications.

Power source 380 V, DC; compactness 1.57;  
max. humidity < 0.4%.

Product nr	Sizes	Ampère	Packing
06.40.16085	5 x 15 x 305 mm.	350-400	50/300



## Complete thermal lance holder



Complete thermal lance holder.  
Consists of:

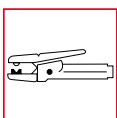
- Thermal lance holder for 7 and 10mm lances.
- 7 mm clamp bush and clamp bush holder.
- Hand-held buffer with a 3 metre cable.
- 5 metre oxygen hose.
- 3 metre starter cable.

Product nr	Description	Packing
06.60.00010	Complete thermal lance holder	1
06.60.00100	Accessory set 10mm complete assembled	1
06.60.00060	Collet 7 mm	1
06.60.00070	Collet retainer 7 mm	1
06.60.00065	Collet 10 mm	1
06.60.00075	Collet retainer 10 mm	1
06.60.00080	Rubber O ring (washer)	1
06.60.00085	Flashback arrestor	1
06.60.00090	Protection shield metal Ø10 cm	1
06.60.00050	Striker handle with cable and battery clamp	1
06.60.00055	Strike handle assembly	1
06.60.00105	Oxygen extension hose 5 meter 3/8"R	1
06.60.00115	Oxygen extension hose 5 meter 1/4"R	1

## Thermal lance electrodes



Product nr	Description	Dimensions	Packing
06.60.00120	Thermal lance electrodes, box 25 pcs.	7.0x559 mm	1/25
06.60.00130	Thermal lance electrodes, box 25 pcs.	7.0x1118 mm	1/25
06.60.00150	Thermal lance electrodes, box 25 pcs.	10x914 mm	1/25





## GOUGING PRODUCTS AND CARBON ELECTRODES

### 17mm thermal lance holder



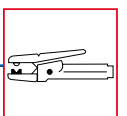
Suitable for 17mm lances.  
Comes with a ball valve and flashback arrestor.  
In the event that the thermal lance no longer fits into the holder properly, the oxygen supply will switch off automatically.

Product nr	Sizes	Dimensions	Packing
06.60.00200	Thermal lance holder	17mm	1
06.60.00201	Nylon sealing ring	17mm	1
06.60.00202	Conical ring	17mm	1
06.60.00203	Viton sealing rings	17mm	1

### Thermal lance electrodes

Product nr	Sizes	Dimensions	Packing
06.60.00170	Thermal lance electrodes interconnectable, per piece.	17mm x 2000mm	10
06.60.00165	Thermal lance electrodes, per piece.	17mm x 2000mm	10
06.60.00155	Thermal lance electrodes, per piece.	17mm x 3000mm	10
06.60.00160	Thermal lance electrodes interconnectable, per piece.	17mm x 3000mm	10

06



06

