

TABLE OF CONTENTS

WELDING CABLE CONNECTORS

Cable connectors	85
Built-in connectors	92
Adapters	93

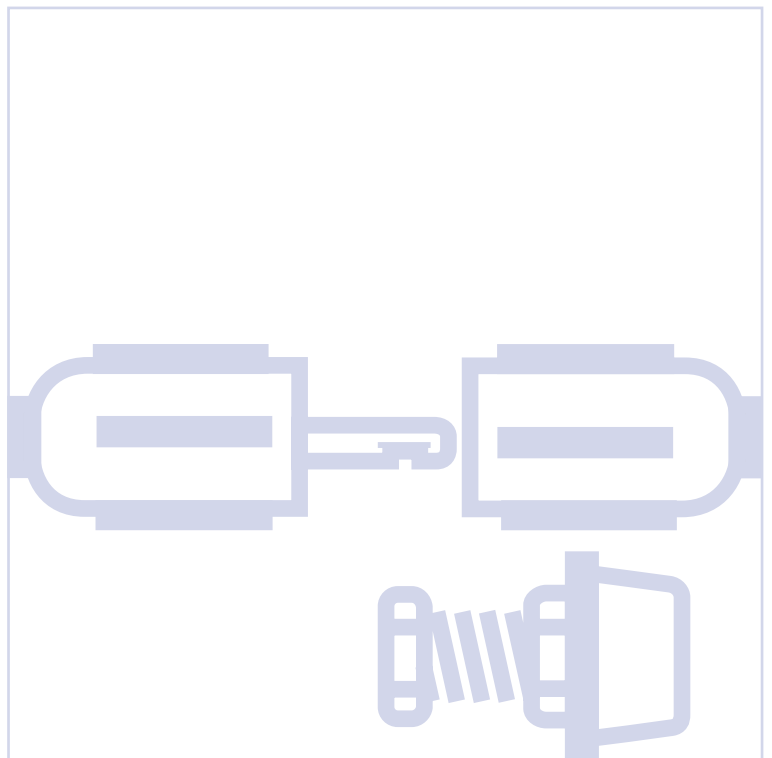
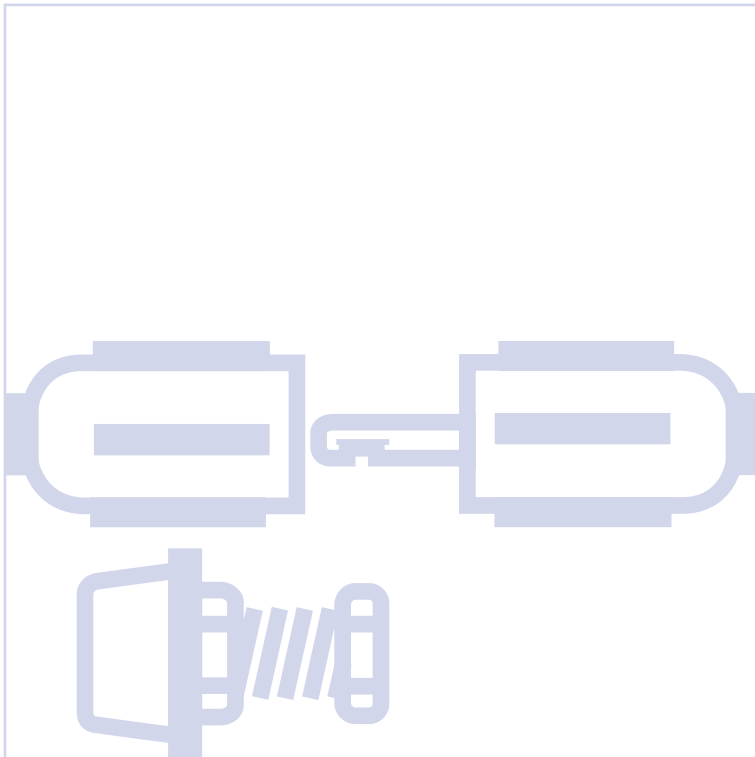


TABLE OF CONTENTS

WELDING CABLE CONNECTORS

13



WELDING CABLE CONNECTORS

Vlamboog VL-1 cable connectors complete



Bayonet cable connector in robust version, simple and easy to assemble, with optimal safety as the brass parts are fully protected by rubber sleeves. Maximum amperage is 500 amps. Longlasting because of high quality materials and finish.

Available with one cable screw or with wire connection for application in combination with clamping sleeve or coupling nut and cone (see productgroup 13 or 17).

EN 60974-12

Product nr	Description	Connection	Cable	Packing
13.01.66100	VL-1.	1 Cable screw	35-95 mm ²	1/10
13.01.66300	VL-M18 x 1.5.	M18 x 1.5	35-95 mm ²	1/10

Vlamboog VL-1 cable connector plug with rubber



Bayonet cable connector plug in robust version, simple and easy to assemble, with optimal safety as the brass parts are fully protected by rubber sleeves. Maximum amperage is 500 amps. Longlasting because of high quality materials and finish.

EN 60974-12

Product nr	Description	Connection	Packing
13.01.66105	VL-1, cable connector plug.	1 Cable screw	1/10

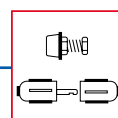
Vlamboog VL-1 cable connector socket with rubber



Bayonet cable connector socket in robust version, simple and easy to assemble, with optimal safety as the brass parts are fully protected by rubber sleeves. Maximum amperage is 500 amps. Longlasting because of high quality materials and finish.

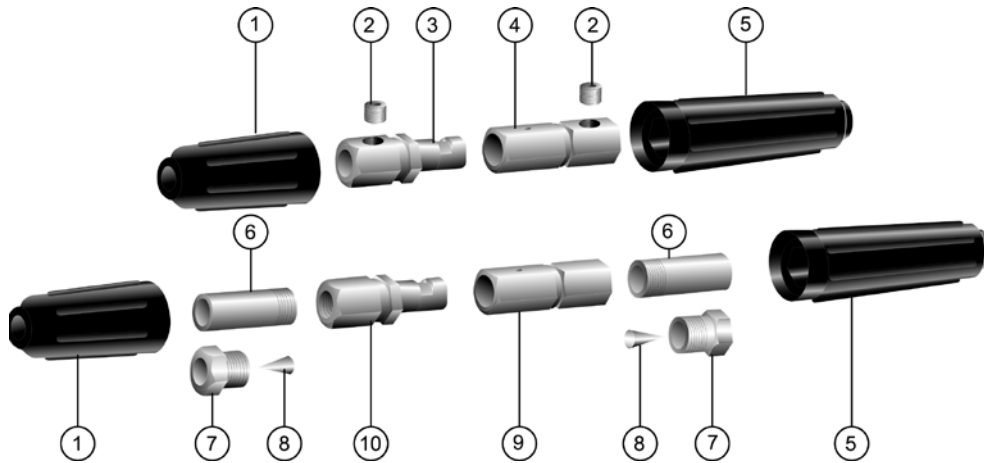
EN 60974-12

Product nr	Description	Connection	Packing
13.01.66110	VL-1, cable connector socket.	1 Cable screw	1/10



WELDING CABLE CONNECTORS

Vlamboog connector VL-1 spare parts



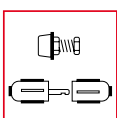
Product nr	Description	Connection	Cable	Draw nr	Packing
13.02.06700	Rubber for plug VL-1			1	1
01.11.09404	Cable screw 9/16 UNF.			2	10
13.02.06610	Plug VL-1, with cable screw.		35-95 mm ²	3	1
13.02.06611	Socket VL-1, with cable screw.		35-95 mm ²	4	1
13.02.06701	Rubber for socket VL-1			5	1
17.01.07021	Clamp	M18 x 1.5	35 mm ²	6	1/25
17.01.07022	Clamp	3/8"	35 mm ²	6	1/25
17.01.07023	Clamp	M18 x 1.5	50 mm ²	6	1/25
17.01.07024	Clamp	3/8"	50 mm ²	6	1/25
17.01.07025	Clamp	M18 x 1.5	70 mm ²	6	1/25
17.01.07026	Clamp	3/8"	70 mm ²	6	1/25
17.01.07007	Clamp	M18 x 1.5	95 mm ²	6	1/25
17.01.07008	Clamp	M19 x 1.5	95 mm ²	6	1/25
17.02.07102	Sleeve	3/8"	35 mm ²	7	1/25
17.02.07103	Sleeve	M18 x 1.5	50 mm ²	7	1/25
17.02.07104	Sleeve	3/8"	50 mm ²	7	1/25
17.02.07105	Sleeve	M18 x 1.5	70 mm ²	7	1/25
17.02.07106	Sleeve	3/8"	70 mm ²	7	1/25
17.02.07107	Sleeve	M19 x 1.5	95 mm ²	7	1/25
17.02.07209	Cone 9 mm Ø.				1/20
13.02.06631	Socket VL, thread connection.	M18 x 1.5	35-95 mm ²	9	1
13.02.06630	Plug VL, thread connection.	M18 x 1.5	35-95 mm ²	10	1

Vlamboog VL-5 cable connectors complete



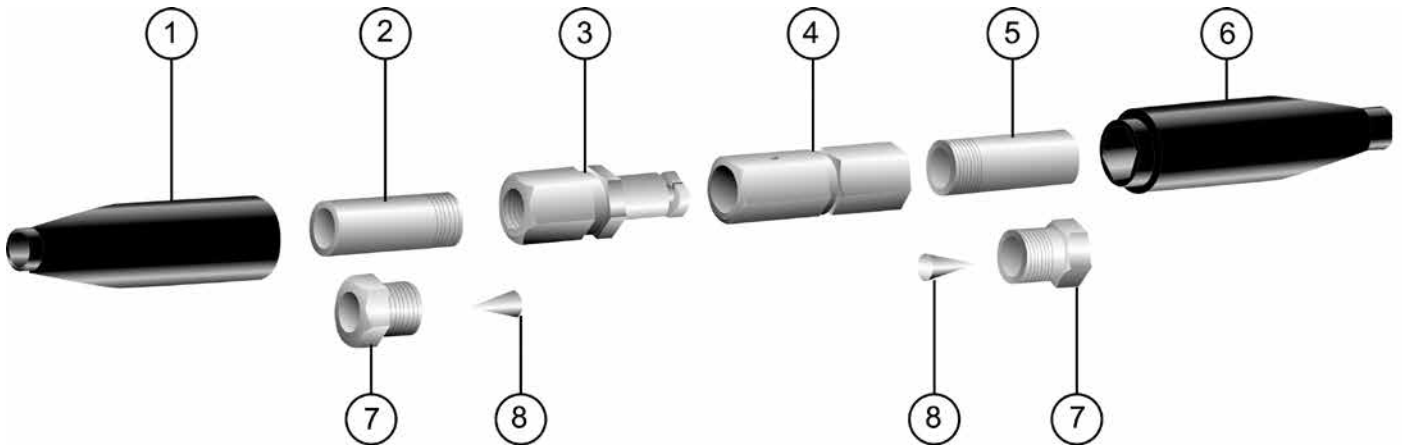
Bayonet cable connector in robust version, simple and easy to assemble, with optimal safety as the brass parts are fully protected by rubber sleeves. Maximum amperage is 500 amps. Longlasting because of high quality materials and finish.

Product nr	Description	Connection	Cable	Packing
13.01.66550	VL-5.	M18 x 1.5	35-95 mm ²	1/10



WELDING CABLE CONNECTORS

Vlamboog connector VL-5 spare parts



Product nr	Description	Connection	Cable	Draw nr	Packing
13.02.06706	Rubber for plug VL-5			1	1/1000
13.02.06707	Rubber for socket VL-5			6	1
17.01.07021	Clamp	M18 x 1.5	35 mm ²	6	1/25
17.01.07022	Clamp	3/8"	35 mm ²	2+5	1/25
17.01.07023	Clamp	M18 x 1.5	50 mm ²	6	1/25
17.01.07024	Clamp	3/8"	50 mm ²	2+5	1/25
17.01.07025	Clamp	M18 x 1.5	70 mm ²	2+5	1/25
17.01.07026	Clamp	3/8"	70 mm ²	70 mm ²	1/25
17.01.07007	Clamp	M18 x 1.5	95 mm ²	6	1/25
17.01.07008	Clamp	M19 x 1.5	95 mm ²	6	1/25
13.02.06655	Plug for cable connector VL-5-I	M18 x 1.5	35-95 mm ²	3	1
13.02.06656	Socket for cable connector VL-5-I	M18 x 1.5	35-95 mm ²	4	1
17.02.07102	Sleeve	3/8"	35 mm ²	7	1/25
17.02.07103	Sleeve	M18 x 1.5	50 mm ²	7	1/25
17.02.07104	Sleeve	3/8"	50 mm ²	7	1/25
17.02.07105	Sleeve	M18 x 1.5	70 mm ²	7	1/25
17.02.07106	Sleeve	3/8"	70 mm ²	7	1/25
17.02.07107	Sleeve	M19 x 1.5	95 mm ²	7	1/25
17.02.07209	Cone 9 mm Ø.			8	10/100

Morelisse cable connectors complete

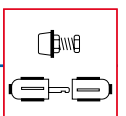


Morelisse cable connector. Full copper pen and screw connection ensure optimal power transfer. Ideal to connect longer lengths of cable.

Available with cable connection 3/8" for 35, 50 and 70 mm².

EN 60974-12

Product nr	Description	Cable	Packing
13.40.11003	Morelisse 3/8".	35 mm ²	1/10
13.40.11005	Morelisse 3/8".	50 mm ²	1/10
13.40.11007	Morelisse 3/8".	70 mm ²	1/10



WELDING CABLE CONNECTORS

Morelisse cable connector with rubber/ plugs



Morelisse cable connectors with copper pin and screw connection ensure optimal power transfer. Thread connection for sleeve and cone. Ideal to connect cable extensions.

EN 60974-12

Product nr	Description	Connection	Cable	Packing
13.40.11015	Morelisse pen.	3/8"	35 mm ²	1/10
13.40.11016	Morelisse pen.	3/8"	50 mm ²	1/10
13.40.11017	Morelisse pen.	3/8"	70 mm ²	1/10

Morelisse cable connectors with rubber/ sockets



Morelisse cable connectors with copper pin and screw connection ensure optimal power transfer. Thread connection for sleeve and cone. Ideal to connect cable extensions.

EN 60974-12

Product nr	Description	Connection	Cable	Packing
13.40.11025	Morelisse bus.	3/8"	35 mm ²	1/10
13.40.11026	Morelisse bus.	3/8"	50 mm ²	1/10
13.40.11027	Morelisse bus.	3/8"	70 mm ²	1/10

Morelisse cable connectors spare parts: sockets and plugs



Cable connector complete with screw connector. Loose plug and socket parts without rubbers and without cones/sleeves.

Product nr	Description	Connection	Cable	Packing
13.40.11029	Plug B.	3/8"	35-70 mm ²	1
13.40.11032	Plug B.	M19 x 1.5	95 mm ²	1
13.40.11031	Socket A.	3/8"	35-70 mm ²	1
13.40.11033	Socket A.	M19 x 1.5	95 mm ²	1

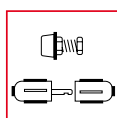
Morelisse cable connectors spare parts: rubbers



Loose rubbers for Morelisse cable connectors.

EN 60974-12

Product nr	Description	Packing
13.40.11041	Rubber for plug, black.	1
13.40.11042	Rubber for socket, red.	1



WELDING CABLE CONNECTORS

Sleeves



The cone sleeve connection is an efficient cable connection. The sleeve size varies with the diameter of the cable.

The copper wire is led through the sleeve and then the cone is numbered into the wire into the cone.

Product nr	Description	Connection	Packing
17.02.07102	Sleeves 3/8"	35 mm ²	1/25
17.02.07104	Sleeves 3/8"	50 mm ²	1/25
17.02.07106	Sleeves 3/8"	70 mm ²	1/25
17.02.07107	Sleeves M19 x 1.5	95 mm ²	1/25

Cone

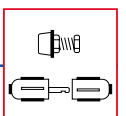


The cone is used together with a sleeve as a cable connector.

Product nr	Description	Packing
17.02.07209	9 mm Ø.	1/20



13



WELDING CABLE CONNECTORS

Dinse cable connectors/plugs



Original Dinse bayonet connector in robust version. Simple and easy to assemble and gives optimal safety as the brass parts are protected by rubber sleeves. With cable screw connection.

EN 60974-12

Product nr	Description	Cable	Pen	Packing
13.41.11100	Plug complete SKM-25.	10-25 mm ²	9mm	1/10
13.41.11110	Plug complete SK-25.	16-35 mm ²	13mm	1/10
13.41.11120	Plug complete SK-50.	35-50 mm ²	13mm	1/10
13.41.11130	Plug complete SK-70.	50-70 mm ²	13mm	1/10
13.41.11134	Plug complete SKK-70.	50-70 mm ²	13mm	1/10
13.41.11140	Plug complete SKK-95.	70-95 mm ²	13mm	1/10
13.41.11150	Plug complete SKS-95.	70-95 mm ²	15mm	1/10
13.41.11160	Plug complete SKS-120.	95-120 mm ²	15mm	1/10

Dinse cable connectors/sockets



Original Dinse bayonet connector in robust version. Simple and easy to assemble and gives optimal safety as the brass parts are protected by rubber sleeves. With cable screw connection.

EN 60974-12

Product nr	Description	Cable	Pen	Packing
13.41.11101	Socket complete BKM-25.	10-25 mm ²	9mm	1/10
13.41.11111	Socket complete BK-25.	16-35 mm ²	13mm	1/10
13.41.11121	Socket complete BK-50.	35-50 mm ²	13mm	1/10
13.41.11131	Socket complete BK-70.	50-70 mm ²	13mm	1/10
13.41.11135	Socket complete BKK-70.	50-70 mm ²	13mm	1/10
13.41.11141	Socket complete BKK-95.	70-95 mm ²	13mm	1/10
13.41.11151	Socket complete BKS-95.	70-95 mm ²	15mm	1/10
13.41.11161	Socket complete BKS-120.	95-120 mm ²	15mm	1/10

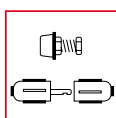
Dinse two-way connectors



Original Dinse to-way connector. Simple and easy to connect cables.

EN 60974-12

Product nr	Description	Picture	Cable	Pen	Packing
13.41.11190	Dinse two-way connector KAB.	1	70-95 mm ²	15mm	1/5
13.41.11191	Dinse two-way connector KAS.	2	70-95 mm ²	15mm	1/5



WELDING CABLE CONNECTORS

Weldsafe cable connectors/plugs



Bayonet cable connector in robust version, simple and easy to assemble, with optimal safety as the brass parts are fully protected by rubber sleeves. Maximum amperage is 500 amps. Longlasting because of high quality materials and finish.

Display package.

EN 60974-12

Product nr	Description	Type	Cable	Pen	Packing
13.45.10251	Plug.	SKM25	10-25 mm ²	9mm	1/10
13.45.10251	Plug.	SKM25	10-25 mm ²	13mm	1/10
13.45.35501	Plug.	SK50	35-50 mm ²	13mm	1/10
13.45.50701	Plug.	SK70	50-70 mm ²	13mm	1/10
13.45.70951	Plug.	SKK95	70-95 mm ²	13mm	1/10
13.45.95121	Plug	SKS	95-120 mm ²	15mm	1/10

Weldsafe cable connectors/sockets



Bayonet cable connector in robust version, simple and easy to assemble, with optimal safety as the brass parts are fully protected by rubber sleeves. Maximum amperage is 500 amps. Longlasting because of high quality materials and finish.

EN 60974-12

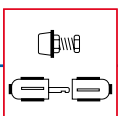
Product nr	Description	Type	Cable	Pen	Packing
13.45.10250	Socket	BKM-25.	10-25 mm ²	9mm	1/10
13.45.10250	Socket	BKM-25.	10-25 mm ²	13mm	1/10
13.45.35500	Socket	BK-50.	35-50 mm ²	13mm	1/10
13.45.50700	Socket	BK-70.	50-70 mm ²	13mm	1/10
13.45.70950	Socket	BKK-95.	70-95 mm ²	13mm	1/10
13.45.95120	Socket	BKS	95/120 mm ²	15mm	1/10

Dinse clamps



Cable connectors ensure optimal power transfer in a coupling, electrode holder of earth clamp.

Product nr	Description	Lenght	Cable	Packing
13.41.11200	Dinse clamp	18mm	10-25 mm ²	10/100
13.41.11201	Dinse clamp	25mm	35-50 mm ²	10/100
13.41.11202	Dinse clamp	25mm	50-70 mm ²	10/100
13.41.11203	Dinse clamp	25mm	70-95 mm ²	10/100
13.41.11204	Dinse clamp	40mm	95-120 mm ²	10/100
13.41.11205	Dinse clamp	40mm	50-70 mm ²	10/100
13.41.11206	Dinse clamp	40mm	70-95 mm ²	10/100



WELDING CABLE CONNECTORS

Myking cable connectors



Myking cable connector, suitable for cable Ø of 35-70 mm².

EN 60974-12

Product nr	Description	Packing
13.80.03570	Cable connector set plug/socket.	1/25
13.80.03571	Cable connector plug.	1/25

Vlamboog built-in connectors



Female part for built-in connector with bayonet connection, 500 amps. Can only be used in combination with the VL-5 coupling.

EN 60974-12

Product nr	Description	Packing
13.01.66951	Vlamboog machine side cable connector, VL-5.	1/50
13.01.66985	Vlamboog machine side cable connector, VL-1.	1/100

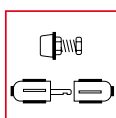
Dinse built-in connectors: plugs



Bayonet connector in robust version, simple and secure, easy to mount, optimal safety as brass parts are totally protected by the rubber sleeves.

EN-IEC-60974-12

Product nr	Description	Packing
13.41.11180	Dinse built-in connector SEM 25.	1/10
13.41.11184	Dinse built-in connector SE 50-70.	1/10
13.41.11186	Dinse built-in connector SES 95-120.	1/10
13.41.11189	Dinse built-in connector BEK 70-95.	1/10



WELDING CABLE CONNECTORS

Dinse built-in connectors: sockets



Bayonet connector in robust version, simple and secure, easy to mount, optimal safety as brass parts are totally protected by the rubber sleeves.

EN-IEC-60974-12

Product nr	Description	Packing
13.41.11181	Dinse built-in connector BEM 25.	1/10
13.41.11182	Dinse built-in connector BE 50-70.	1/10
13.41.11183	Dinse built-in connector BEK 50-70.	1/10
13.41.11185	Dinse built-in connector BE 70-95.	1/10
13.41.11187	Dinse built-in connector BES 95-120.	1/10
13.41.11189	Dinse built-in connector SE 70-95.	1/10

Morelisse built-in connectors



Built-in connector with screw connection, to be used only with Morelisse cable connectors.

Product nr	Description	Packing
13.40.11010	Morelisse cable connector machine side.	1

Weldsafe-Dix built-in connectors



Weldsafe built-in connector, available in 3 sizes.

EN 60974-12

Product nr	Description	Cable	Packing
13.60.01025	Socket.	10-25 mm ²	1/10
13.60.03550	Socket.	35-50 mm ²	1/100
13.60.07095	Socket.	70-95 mm ²	1/100

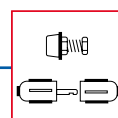
Dinse-Morelisse adapter



Adapter for Dinse built-in connector to Morelisse cable connector.

EN 60974-12

Product nr	Description	Packing
13.01.70800	Adapter Dinse-Morelisse.	1



WELDING CABLE CONNECTORS

Dinse-Vlamboog adapter



Adapter for Dinse built-in connector to Vlamboog cable connectors VL-1, VL-3/8" and VL-M18 x 1.5.

EN 60974-12

Product nr	Description	Packing
13.01.70300	Adaptor Dinse-Vlamboog.	1

Dinse-Dinse adapter



Adapter for Dinse 9 mm to Dinse 13 mm for large connectors on small machines.

EN 60974-12

Product nr	Description	Packing
13.01.70400	Adapter from pin thickness 13 mm to 9 mm.	1/100